

# PV Modular fuse-holder CUS101HEL

## FUSE HOLDERS, FUSE BASES AND SUPPORTS

### IEC+UL/CSA FUSE HOLDERS



The innovative and comprehensive Modulostar® range of Mersen fuse-holders.

CUS101HEL series are specially designed for the protection of PV systems.

Modular fuse-holders are finger-safe under IEC and UL standards to an IP20 grade of protection, including fuse changing (with the flick of a finger). Modular fuse-holders CUS101HEL are available in 1 pole, with or without visual blown fuse indicator.

Modulostar® range is made of tough and durable thermoplastic material.

They are especially recommended to be used in combination with Mersen fuse-links HP6M and HP10M.

### TECHNICAL DATA OVERVIEW

Voltage DC	1000 VDC
Amper (A)	32 A
SCCR	100kA
Mounting	Installation on to DIN rails to EN 60715
Product Size	For cylindrical fuse links 10x38 gPV fuses
Number of Poles	1-pole

### FEATURES & BENEFITS

- Modular design
- Compact design for space saving
- DIN rail mounting
- Degree of protection: IP20
- Finger safe
- Easy access to the fuse
- Lockable without accessory
- Sealable in closed & open position
- Optional visual blown fuse indicator
- Plastic material UL94V2 mini
- Flame retardant materials with glow wire flammability index to 960°C
- Very low power dissipation

### APPLICATIONS

- All photovoltaic applications up to 1000V
- Combiner box applications
- PV string/array level protection
- Inverters

### STANDARDS

- IEC60269-1&2
- UL listed UL4248/19
- CSA Certified
- RoHS, Reach compliant



MERSEN reserves the right to change, update or correct, without notice, any information contained in this datasheet.

# PV Modular fuse-holder CUS101HEL

## PRODUCT RANGE



CUS101HEL



CUS101IHEL

### PV Modular fuse-holder CUS101HEL

Catalog number	Item number	Number of poles/ phases	Design	Voltage limit for blown fuse indicator	Package
CUS101HEL	K1062724	1	CUS101HEL single pole	-	12
CUS101IHEL	X1062758	1	CUS101IHEL single pole	220 - 1000V	12

## TECHNICAL DATA

### CUS101HEL

Size	10x38
Number of poles/phases	1
Conventional free air thermal current with fuse links $I_{th}$	32 A
Max. power dissipation of fuse links $P_n$	3W
Max. power dissipation	4 W
Power dissipation of fuse-holder	0.4 W
Rated insulation voltage $U_i$	1000 V
Degree of protection	IP 20
Operating temperature	-40°C to 70°C with carrier operation -50°C to 90°C without carrier operation
Storage temperature	-40°C to 70°C
Connection	Max. tightening torque: 2Nm (17.7lbs.-in) Rigid / Multistrand wire = 1-16mm <sup>2</sup> (16-6AWG) Max.2x6mm <sup>2</sup> PZ2 or flat 5.5x1mm screw drivers recommended (max. diameter 6mm)

## SPECIFIC USAGE CONDITIONS

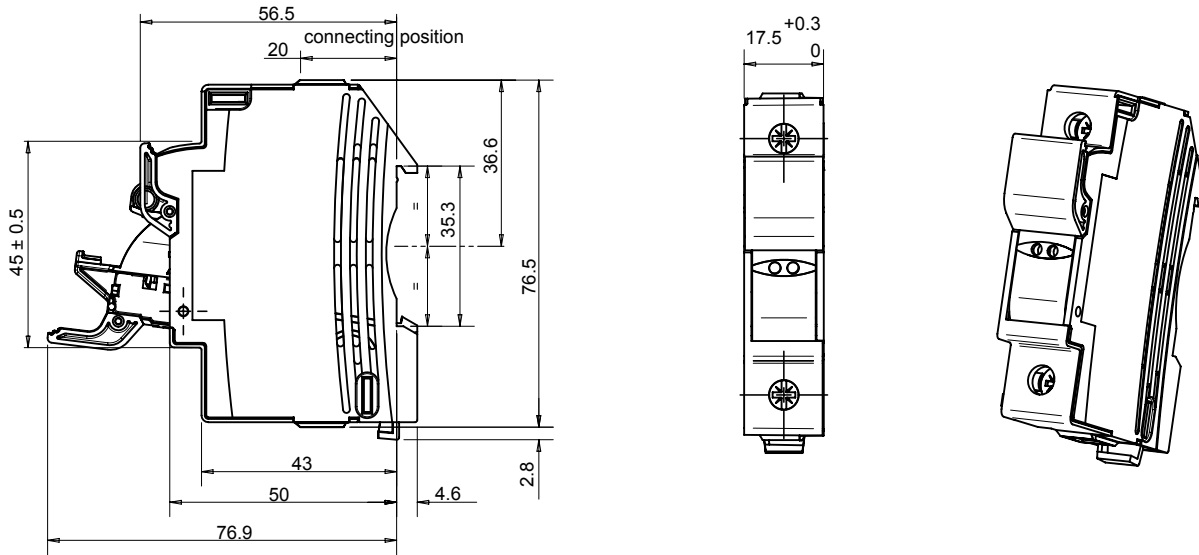
Ambient temperature	-40° to 20°C	30°C	40°C	50°C	60°C	70°C	80°C	90°C
Derating factor ( $I_e$ )	1	1	1	0.92	0.83	0.73	0.62	0.48
Humidity	95%	90%	80%	50%	-	-	-	-
Dampness derating	1	0.95	0.90	-	-	-	-	-

No of poles (side by side)	1 to 3	>= 4
Derating factor of current ( $I_{th}$ )	1	0.9

# PV Modular fuse-holder CUS101HEL

## DIMENSIONS

**MODULOSTAR® CUSCC fuse-holders for cylindrical fuse-links class 10x38mm**



Dimensions in mm

## ACCESSORIES



CMS810PAK

### Kit for multi phase connection

Catalog number	Item number	Features	Package	Weight
CMS810PAK	Z233725	Links for connection of multipole units	12	0.5 g



LOCK

### Locking devices

Catalog number	Item number	Features	Package	Weight
LOCK	M223525	Padlock	1	0.48 kg

# PV Modular fuse-holder CUS101HEL

## ACCESSORIES



TBB1A



TBB1C



TBB23A

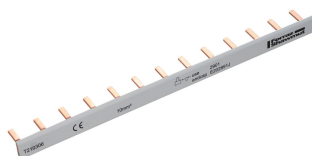


TBB23C

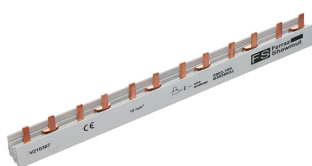
### Power supply

Catalog number	Item number	Application	Features	Package	Weight
TBB1A	D210315	Max. rms current 90A	1 phase axial incoming power supply	50	10.1 g
TBB1C	E210316	Max. rms current 90A	1 phase lateral incoming power supply	50	10 g
TBB23A	F210317	Max. rms current 90A	2 & 3 phases axial incoming power supply	50	23.3 g
TBB23C	G210318	Max. rms current 90A	2 & 3 phases lateral incoming power supply	50	23.1 g

### Wiring bars / Insulated bus bars



CMS810BB1F13



CMS810BB2F6

Catalog number	Item number	Application	Features	Package	Weight
CMS810BB1F13	T210306	Max. rms current 63A, for installation of 13 modules	single pole, 10 mm <sup>2</sup> , partition 17,5 mm (distance of poles), peg design, L-shaped	10	33.5 g
CMS810BB2F6	V210307	Max. rms current 63A, for installation of 6 modules	double pole, 10 mm <sup>2</sup> , partition 17,5 mm (distance of poles), peg design, L-shaped	10	80 g
CMS810BB3F4	W210308	Max. rms current 100A, for installation of 4 modules	triple pole, 10 mm <sup>2</sup> , partition 17,5 mm (distance of poles), peg design, L-shaped	10	84 g
CMS810BB4F3	X210309	Max. rms current 100A, for installation of 3 modules	quadruple pole, 10 mm <sup>2</sup> , partition 17,5 mm (distance of poles), peg design, L-shaped	10	0.12 kg

MERSEN reserves the right to change, update or correct, without notice, any information contained in this datasheet.