

# TRU-5322E

Converter, separator, RS232 / 422/485 repeater for DIN rail.

## DESCRIPTION

The TRU-5322E works as a converter of the RS232, RS485 to RS422, RS485 standards. It also provides galvanic signal separation between input and output. The device does not require additional signals controlling the direction of transmission. The TRU-5322E construction is based on programmable PLD systems.

The RS485, RS422 lines are additionally protected against surges.

### Main use of TRU-5322E:

- matching transmission standards, converter, separator and repeater,
- the device can work as a protector,
- improvement of transmission quality and efficiency (automatic frame forming technology).



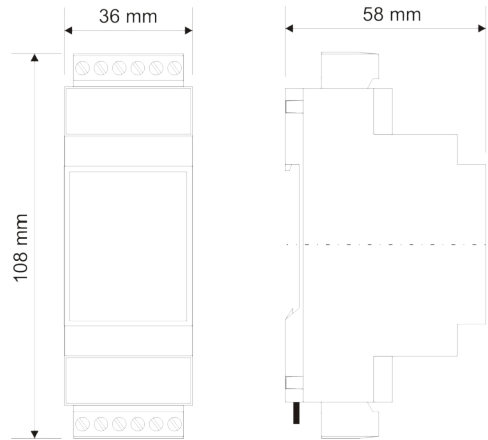
### Main features

- Baud rate from 50 b/s to 375 kb/s,
- data flow control,
- galvanic isolation to 3kV,
- signaling of communication quality,
- built-in RS485/422 line terminator,
- RS232 connector as a screw

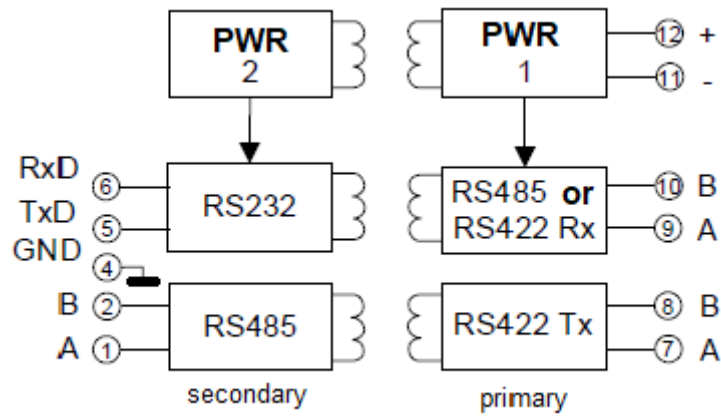
## PARAMETERS

Parameter	Description
Specification of RS232	EIA-232E and CCITT v.28
RS232 line support	TxD   Rx D
ESD protection of RS232	IEC 1000-4-2 (801.2) +/- 8 kV contact discharge +/- 15 kV air gap discharge
Maximum RS-232 line length	15m
RS232 connection	detachable connectors wire 0,2...2,5 mm <sub>l</sub>
Specification of RS422/RS485	EIA/TIA-422 i EIA/TIA-485
Transmission direction control	automatically
ESD protection of RS422/RS485	+/-15 kV using the Human Body Model +/- 8 kV contact discharge method specified in IEC 100-4-2
Overvoltage and short-circuit protection of the RS422/485 line	600W
Terminators for the RS422/RS485 line	Built-in
Maximum number of devices on one line	32
The maximum length of the RS422 / RS485 line	1200m
RS422 / RS485 connection	detachable connectors line 0,2...2,5 mm <sub>l</sub>
Supply voltage	7..35VDC
Power consumption	2 VA
Working temperature	-30°C...+65°C
Storage temperature	-40°C...+70°C
IP protection of terminals	IP-20 according with DIN 40050/EC 529
IP protection of housing	IP-43 according with DIN 40050/EC 529
Installation	On DIN rail DIN EN 50 022-35
Weight	116 g
Dimensions with connectors	36 x 108 x 58 mm

DIMENSIONS



BLOCK DIAGRAM



Distributor	Manufacturer
<p><b>ASPAR s.c.</b></p> <p>ul. Oliwska 112</p> <p>80-209 Chwaszczyno</p> <p>POLAND</p> <p>Tel. +48 / 58 / 351-39-89</p> <p>+48 / 58 / 732-71-73</p> <p><a href="mailto:ampero@ampero.eu">ampero@ampero.eu</a></p> <p><a href="http://www.ampero.eu">www.ampero.eu</a></p>	<p><b>ULTIMA</b></p> <p>Al. Zwycięstwa 96/98</p> <p>81-451 Gdynia</p> <p>POLAND</p> <p>Tel./fax. +48 / 58 / 341 16 61</p> <p>Tel. +48 / 58 / 555 71 49</p> <p><a href="mailto:ultima@ultima-automatyka.pl">ultima@ultima-automatyka.pl</a></p> <p><a href="http://www.ultima-automatyka.pl">www.ultima-automatyka.pl</a></p>

