

Hydro-Mix

Mechanical Installation Guide

To re-order quote part number:	HD0676
Revision:	1.4.0
Revision date:	November 2017

Copyright

Neither the whole or any part of the information contained in nor the product described in this documentation may be adapted or reproduced in any material form except with the prior written approval of Hydronix Limited, hereinafter referred to as Hydronix.

© 2017

Hydronix Limited
7 Riverside Business Centre
Walnut Tree Close
Guildford
Surrey GU1 4UG
United Kingdom

All rights reserved

CUSTOMER RESPONSIBILITY

The customer in applying the product described in this documentation accepts that the product is a programmable electronic system which is inherently complex and which may not be completely free of errors. In doing so the customer therefore undertakes responsibility to ensure that the product is properly installed commissioned operated and maintained by competent and suitably trained persons and in accordance with any instructions or safety precautions made available or good engineering practice and to thoroughly verify the use of the product in the particular application.

ERRORS IN DOCUMENTATION

The product described in this documentation is subject to continuous development and improvement. All information of a technical nature and particulars of the product and its use including the information and particulars contained in this documentation are given by Hydronix in good faith.

Hydronix welcomes comments and suggestions relating to the product and this documentation

ACKNOWLEDGEMENTS

Hydronix, Hydro-Probe, Hydro-Mix, Hydro-Skid, Hydro-View and Hydro-Control are Registered Trade Marks of Hydronix Limited

Hydronix Offices

UK Head Office

Address: 7 Riverside Business Centre
Walnut Tree Close
Guildford
Surrey
GU1 4UG

Tel: +44 1483 468900

Fax: +44 1483 468919

Email: support@hydronix.com
sales@hydronix.com

Website: www.hydronix.com

North American Office

Covers North and South America, US territories, Spain and Portugal

Address: 692 West Conway Road
Suite 24, Harbor Springs
MI 47940
USA

Tel: +1 888 887 4884 (Toll Free)

+1 231 439 5000

Fax: +1 888 887 4822 (Toll Free)

+1 231 439 5001

European Office

Covers Central Europe, Russia and South Africa

Tel: +49 2563 4858

Fax: +49 2563 5016

French Office

Tel: +33 652 04 89 04

Revision history

Revision No	Date	Description of Change
1.0.0	Feb 2015	First Release
1.1.0	May 2015	Sensor cable product number changed
1.1.1	Jan 2016	Minor Formatting Change
1.2.0	March 2016	Reference to SIM02A added
1.2.1	July 2016	Accessories list updated
1.3.0	March 2017	Title Changed, Introduction added. Installation in Ducting and Organic mixer sections removed
1.4.0	Nov 2017	Air and Water Factory Calibration advice added to ceramic replacement section

Table of Contents

Chapter 1 Hydro-Mix Installation.....	11
1 Introduction.....	12
2 General to Mixer Applications	12
3 General to Flowing Material Applications.....	13
4 General Mounting Advice	13
5 Turbo Mixers	14
6 Planetary Mixers.....	14
7 Single Shaft Horizontal and Ribbon Mixers	15
8 Twin Shaft Horizontal Mixers	15
9 Screw Conveyor.....	16
10 Conveyor Belt Applications Using Hydro-Skid	16
11 Installing the Sensor.....	17
12 Adjusting the Sensor	20
Chapter 2 Corrosion Protection.....	21
1 Corrosion Protection.....	21
Chapter 3 Technical Specification	23
1 Technical Specifications.....	23
Appendix A Document Cross Reference	25
1 Document Cross Reference	25

Table of Figures

Figure 1: The Hydro-Mix and Adjustable Clamp Ring	11
Figure 2: Flat Surface Installation	13
Figure 3: Curved Surface Installation.....	13
Figure 4: Turbo Mixer Installation	14
Figure 5: Planetary Mixer Installation.....	14
Figure 6: Single Shaft Mixer Installation	15
Figure 7: Twin Shaft Mixer Installation.....	15
Figure 8: Screw Conveyor Installation	16
Figure 9: Screw Conveyor Material Level.....	16
Figure 10: Hydro-Skid Installation on a Conveyor Belt.....	16
Figure 11: Sensor Installation	17
Figure 12: Adjustable Clamp Ring Components.....	18
Figure 13: Fixing Plate Prepared for Attaching Clamp Ring.....	18
Figure 14: Adjustable Clamp Ring Assembled and Fitted to Fixing Plate	19
Figure 15: Adjustable Clamp Ring (0033) Fitted to Fixing Plate (0021) and Hydro-Mix.....	19
Figure 16: Hydro-Mix Installed with a Drip Loop.....	21
Figure 17: Hydro-Mix with Protection Cover Installed.....	21

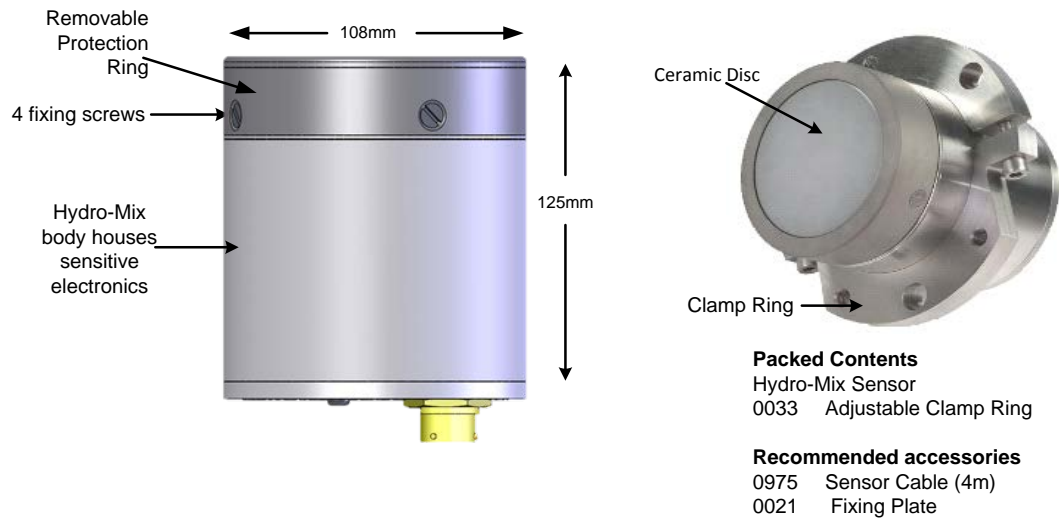


Figure 1: The Hydro-Mix and Adjustable Clamp Ring

Available accessories:

Part No	Description
0021	Fixing Plate for welding to installation location
0033	Adjustable Clamp Ring (supplied with sensor). Additional rings can be ordered
0035	Blanking Plate (for covering hole when sensor is removed)
HS02	Hydro-Skid – Mounting option for belt conveyors
0975A	4m Sensor Cable
0975A-10m	10m Sensor Cable
0975A-25m	25m Sensor Cables
0116	Power Supply – 30 Watt for up to 4 sensors
0049A	RS232/485 converter (DIN rail mounting)
0049B	RS232/485 converter (9 pin D type to terminal block)
SIMxx	USB Sensor Interface Module including cables and power supply
EAK01	Ethernet Adapter Kit including Power Supply
EPK01	Optional Ethernet Power Adapter Kit
0900	Replacement Ceramic Kit (Ceramic Disc, Protection Ring and Ceramic Retaining Ring)
0910	Replacement Ceramic Kit (Ceramic Disc and Protection Ring kit)
0920	Replacement Ceramic Kit (excluding Protection Ring)
0930	Replacement Protection Ring (including screws)

Hydro-Com configuration and diagnostics software is available for free to download from www.hydronix.com.

This Hydro-Mix Installation Guide is only valid for model numbers HM08 onwards. User guides for earlier Hydro-Mix model numbers are available from www.hydronix.com

1 Introduction

The Hydro-Mix digital microwave moisture sensor with integral signal processing provides a linear output (both analogue and digital). The sensor may be easily connected to any control system and is ideally suited to measure the moisture of materials in mixer applications as well as other process control environments.

The sensor reads at 25 times per second, which enables rapid detection of changes in moisture content in the process, including determination of homogeneity. The sensor may be configured remotely when connected to a PC using dedicated Hydronix software. A large number of parameters are selectable, such as the type of output and the filtering characteristics.

The sensor is constructed to operate under the most arduous conditions with a wear life of many years. The Hydro-Mix should never be subjected to unnecessary impact damage as it houses sensitive electronics. In particular, the replaceable ceramic faceplate, although extremely hardwearing, is brittle and may crack if subjected to severe impact.

2 General to Mixer Applications

A significant benefit of the Hydronix system is that only one sensor is required in the mixer. However, it is important that it is positioned correctly in relation to the mixer floor, material and water inlets, and other moving parts such as blades and paddles. Although paddles or scraper blades can be a useful mechanism to keep the sensor free from material build up, they could cause damage to an incorrectly positioned sensor. It will be necessary to periodically check the position as the mixer blades, paddles and floor wear away. In all installations, it is recommended that the sensor is fitted in an area where it is away from any possible collection of 'sitting' water.

As the mixer floor wears, the sensor will occasionally need to be adjusted downwards in the mixer, to maintain the correct position in relation to the mixer floor. Additionally the blades will need to be adjusted to maintain the efficiency of the mixing action and cleanliness of the ceramic disc.

If the sensor is allowed to protrude into the mixer it will be susceptible to damage from the mixer blades/paddles as well as from abrasive materials becoming trapped between the paddles, mixer floor and exposed side wall of the sensor.

NOTE: Damage caused under these circumstances will not be covered by warranty

For accurate and representative moisture measurement the sensor must be in contact with the moving stream of material. It is equally important that no material can build up over the sensor head to obscure the sensor readings.

Follow the advice below for good sensor positioning:

- It is a good idea to provide a small inspection lid in the mixer cover, so that during mixing, and when the mixer is empty, the sensor head may be observed without having to raise the main cover plate.
- If the floor is not level, fit the sensor in the highest point in the floor.
- Ensure that the sensor is fitted away from the water and material inlets. Particular care should be taken in keeping the sensor clear of heavy falling objects such as large aggregate.
- When installing the sensor in a curved surface, ensure that the centre of the ceramic disc is flush with the radius of the internal wall
- Avoid areas of severe turbulence. The best signal will be obtained where there is a smooth flow of material over the sensor.

- The sensor should be positioned where it will see a continuous sample of the flowing material and where the sweeping action of the blades ensures no build-up of material on the face of the sensor.
- Position the sensor away from any electrical interference (See Electrical Installation Guide HD0678).
- Position the sensor so that it may be easily accessible for routine maintenance, adjustment and cleaning.

3 General to Flowing Material Applications

For accurate moisture measurement the Hydro-Mix should be installed in a location where the material is in contact with the ceramic disc at a controlled consistent flow rate.

Follow the advice below for good sensor positioning:

- Locate the sensor where the material flows at a consistent rate.
- When installing the sensor in a curved surface, ensure that the centre of the ceramic disc is flush with the radius of the internal wall.
- A sampling point has to be available close to the sensor for calibration purposes.
- Avoid areas of severe turbulence in the material flow.
- Ensure the sensor is located where the material is not allowed to build up on the ceramic disc.
- Position the sensor away from any electrical interference (See Electrical Installation Guide HD0678).
- Position the sensor so that it may be easily accessible for routine maintenance, adjustment and cleaning.

4 General Mounting Advice

For installation in flat surfaces, the top of the sensor must be flush with the internal wall surface.

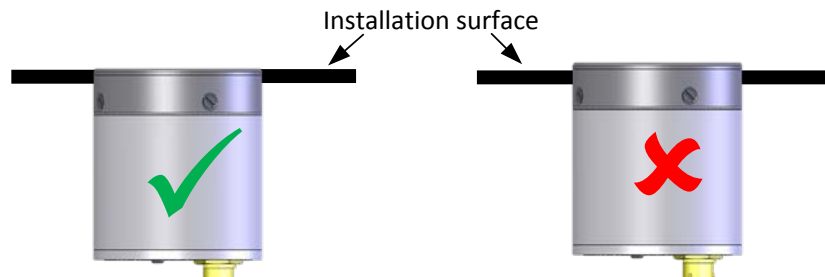


Figure 2: Flat Surface Installation

When installing the sensor in a curved surface, ensure that the centre of the ceramic disc is flush with the radius of the internal wall.

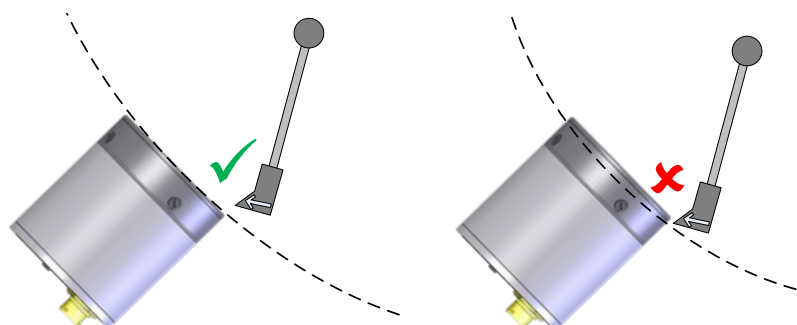


Figure 3: Curved Surface Installation

5 Turbo Mixers

The sensor must be installed in the floor of turbo mixers

The sensor should be approximately 2/3 distance from the mixer centre to the side wall

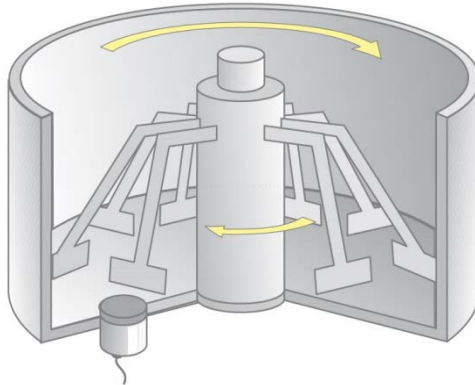


Figure 4: Turbo Mixer Installation

6 Planetary Mixers

The sensor should be fitted in the base of the planetary mixer, ideally in a position where the flow of material is smoothest and away from the area of severe turbulence caused by the mixing action of the blades. This is normally close to the side wall of the mixer. Therefore it is generally recommended that the sensor be positioned with the inner edge approximately 10 cm to 15cm from the side wall of the mixer. The minimum distance should never be less than 5cm. See the advice for flat surface mounting on page 13.

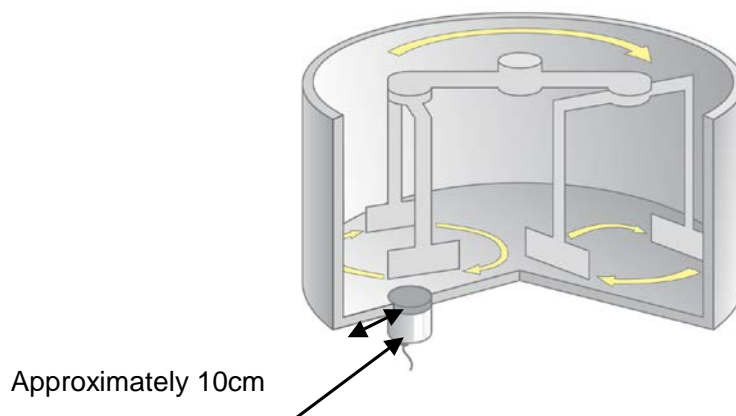


Figure 5: Planetary Mixer Installation

7 Single Shaft Horizontal and Ribbon Mixers

The sensor should be positioned near the base of horizontal mixers at 30 degrees to prevent water pooling. It should be placed approximately half way along the length of the mixer. The sensor should be on the 'up' stroke of the mixer. If this is not possible, for example when the mixer unloading doors obstruct this area, then it should be positioned on the opposite side on the 'down' stroke

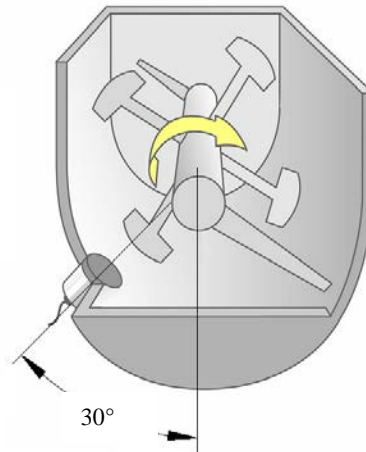


Figure 6: Single Shaft Mixer Installation

8 Twin Shaft Horizontal Mixers

The best position on horizontal twin shaft mixers is half way along the length of the mixer, near the base at approximately 30 degrees above the base to prevent water pooling on the sensor head.

The sensor should be mounted on the 'up' stroke of the mixer. If this is not possible, for example when the mixer unloading doors obstruct this area, then it should be positioned on the opposite side on the 'down' stroke

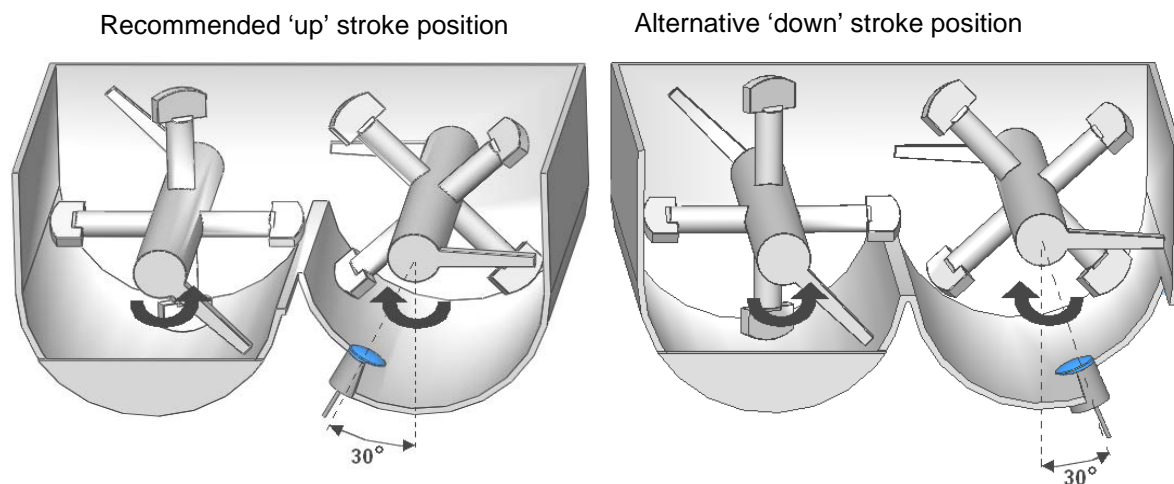


Figure 7: Twin Shaft Mixer Installation

9 Screw Conveyor

It is recommended that the sensor is installed at 30° above the base. (See Figure 8).

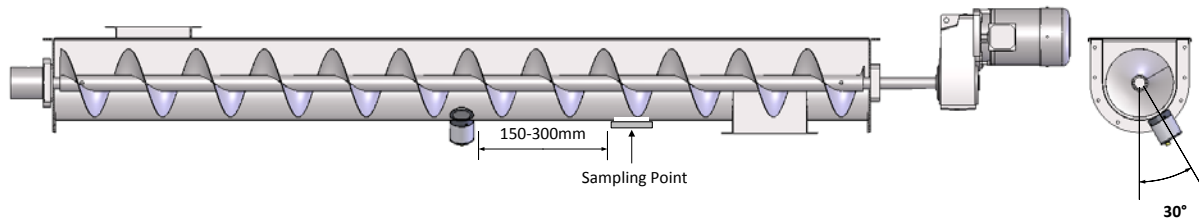


Figure 8: Screw Conveyor Installation

It is essential that the sensor is located so that the ceramic disc is continuously covered by at least 100mm of material. (Figure 9).

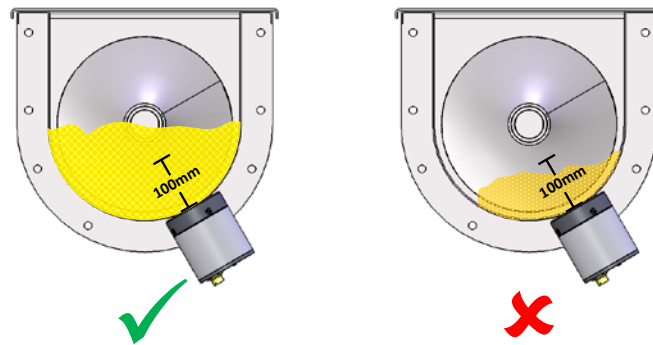


Figure 9: Screw Conveyor Material Level

10 Conveyor Belt Applications Using Hydro-Skid

The Hydro-Skid is a mounting device designed to enable a Hydronix Hydro-Mix moisture sensor to ride over the surface of flowing material on a belt conveyor. Measurements are then taken by the flush mounted sensor as the material passes underneath.

The Hydro-Skid should be installed above the conveyor belt. The arm must be installed so that the Hydro-Skid faces towards the pantograph arm fixings. For correct operation the Hydro-Skid must be installed parallel to the conveyor belt. See the Hydro-Skid User Guide (HD0551) for installation guidance.

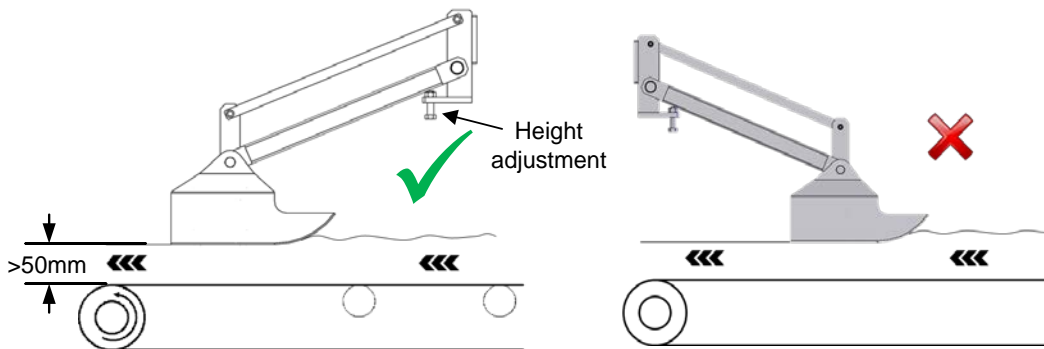


Figure 10: Hydro-Skid Installation on a Conveyor Belt

11 Installing the Sensor

These instructions refer to installing the Hydro-Mix in a mixer application, all other installation locations use the same mounting arrangement.

Each sensor is supplied with an Adjustable Clamp Ring assembly. When attached this allows the sensor to attach to the Fixing Plate (part 0021) which is welded externally to the floor or wall of the mixer.

The Adjustable Clamp Ring Assembly facilitates the correct positioning and subsequent height adjustment of the sensor.

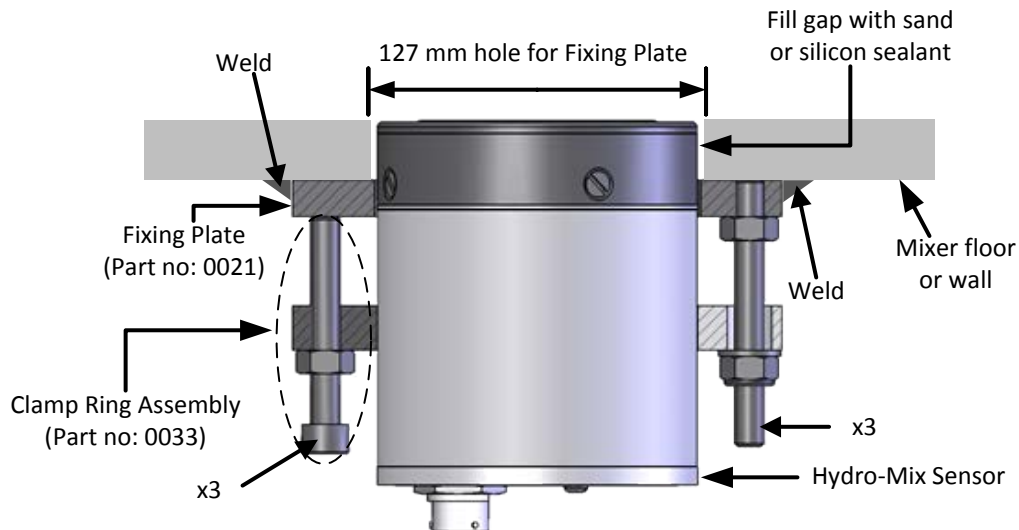


Figure 11: Sensor Installation

11.1 Cutting the Hole for the Sensor and Installing the Fixing Plate

Before welding the Fixing Plate to the mixer a 127mm diameter hole should be cut through the external mixer wall and the internal wear plates.

Although the outside diameter is 108mm, it is recommended to cut a hole of 127mm diameter to allow for tolerances.

The fixing plate is then welded in position over the hole.

During any welding operations the sensor should be removed.

11.2 Fitting the Adjustable Clamp Ring Assembly to the Sensor

The Adjustable Clamp Ring comprises the following components:

- A. 3 x M10 screws
- B. 6 x M10 lock nuts (Three shown)
- C. 3 x M10 Nyloc nuts
- D. 3 x washers
- E. 2 x M8 screws
- F. 3 x M10 threaded stud
- G. Clamp Ring

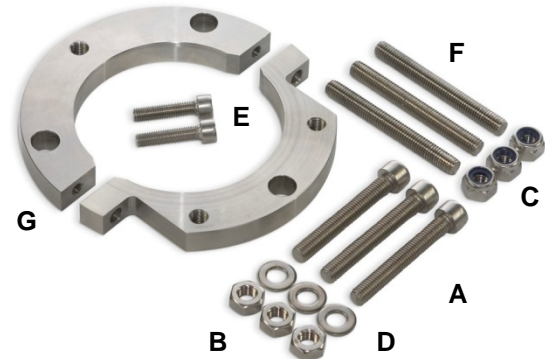


Figure 12: Adjustable Clamp Ring Components

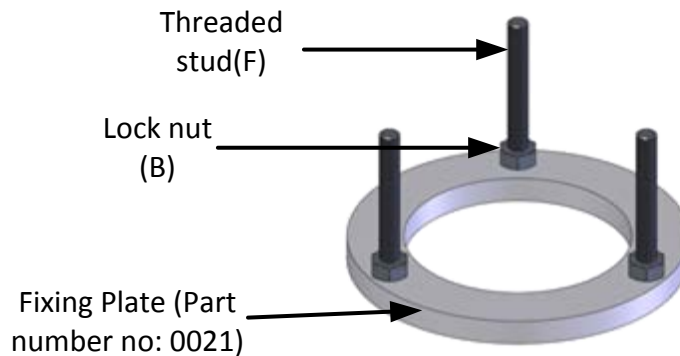


Figure 13: Fixing Plate Prepared for Attaching Clamp Ring

1. Screw the 3 threaded studs (F) to the Fixing Plate (already welded in place), and tighten securely using 3 lock nuts (B)
2. Fit the Clamp Ring (G) onto the sensor using the 2 x M8 screws (E). Position the Clamp Ring so that adjustment is possible with the ceramic disc level with the mixer floor or side wall.
3. Fit the Clamp Ring and sensor assembly over the threaded studs of the Fixing Plate and use the Nyloc nuts (C) and washers (D) to position the sensor with the ceramic disc level with the floor or side wall

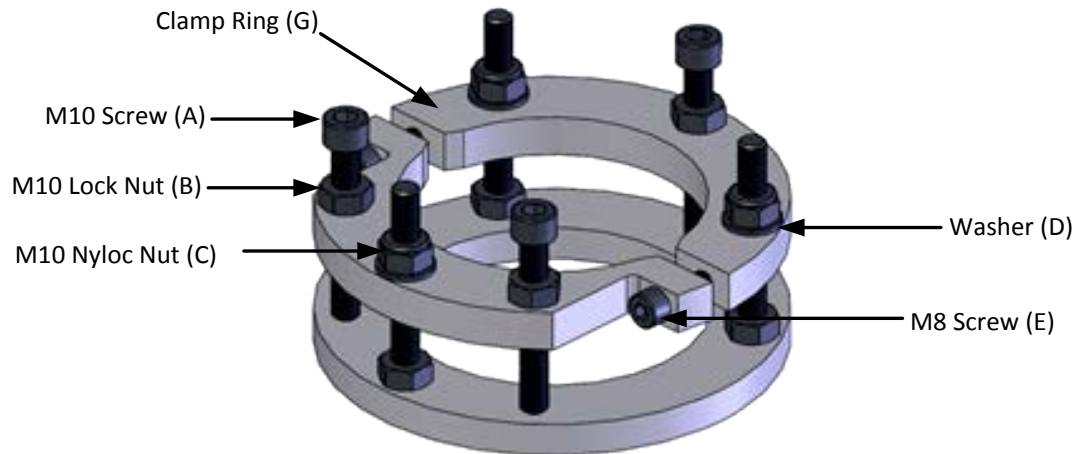


Figure 14: Adjustable Clamp Ring Assembled and Fitted to Fixing Plate

4. Fit the three screws (A) along with the 3 remaining lock nuts (B) to the Clamp Ring to push against the Fixing Plate.
5. CHECK again to ensure that the sensor head is in the correct position, using a steel rule, and ensure that any mixer blades and scrapers clear the ceramic disc by manually rotating the blades.
6. Fully tighten the complete assembly including the lock nuts.
7. Once the sensor has been correctly fitted and adjusted, fill the gap around the sensor with appropriate sealant (preferred) or compacted sand.

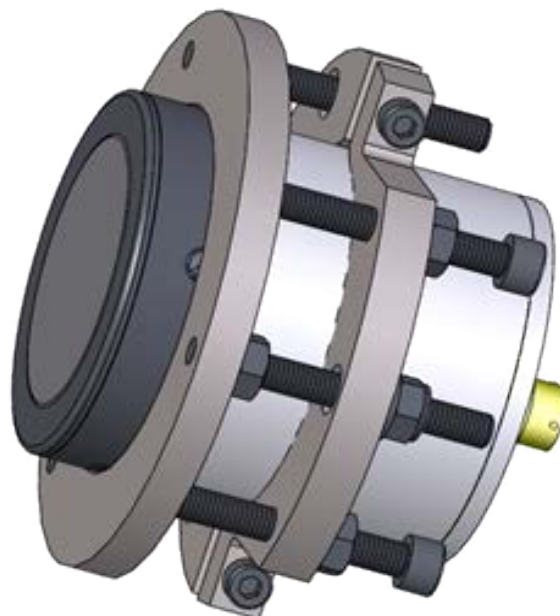


Figure 15: Adjustable Clamp Ring (0033) Fitted to Fixing Plate (0021) and Hydro-Mix

12 Adjusting the Sensor



NEVER HIT THE CERAMIC DISC

THE CERAMIC IS VERY HARDWEARING BUT IS BRITTLE AND WILL CRACK IF STRUCK

The ceramic disc of the sensor is extremely resistant to abrasion. When installed in a mixer the wear plates will wear more rapidly than the ceramic disc. Consequently from time to time it will be necessary to adjust the sensor so that it maintains the same relative position to the wear plates (following this procedure a recalibration of the recipes may be required).

12.1 To Move the Sensor IN to the Mixer

1. Clean out compacted sand or sealant from around the sensor.
2. Loosen the lock nuts B and screws A.
3. Tighten nuts C evenly (max 50Nm or 37ft/lb) until the sensor is in the desired position.
4. Tighten screws A (20Nm or 15ft/lb).
5. Tighten lock nuts B (40Nm or 30 ft/lb).
6. Fill the gap around the mixer with appropriate sealant (preferred) or compacted sand.

12.2 To Move the Sensor OUT of the Mixer

1. Clean out compacted sand or sealant from around the sensor.
2. Loosen lock nuts B and nuts C.
3. Tighten screws A evenly (max 60Nm or 45ft/lb) until the sensor is in the desired position.
4. Tighten nuts C (20Nm or 15ft/lb).
5. Tighten lock nuts B (40Nm or 30ft/lb).
6. Fill the gap around the mixer with appropriate sealant (preferred) or compacted sand.

12.3 Removal of the Sensor

Clean out compacted sand or sealant from around the sensor.

Remove nuts C and carefully ease out the sensor and clamp ring assembly.

If the sensor is to be removed and the mixer used, a sensor blanking plate (part no: 0035) can be used to seal the hole.

12.4 Replacing the Ceramic Disc

Should the ceramic disc of the sensor become damaged it can easily be replaced. It is advised that a replacement kit (part no: 0900) is held in reserve in case of this event. Full instructions on replacing the ceramic disc can be found in the Ceramic Disc Replacement Instructions HD0411.

After completion of the Ceramic Disc replacement it is necessary to perform an Air and Water Factory Calibration. This will ensure the sensor is correctly configured for the new Ceramic Disc. To perform the factory calibration please refer to the Hydro-Com user guide HD0682.

1 Corrosion Protection

In situations where corrosive materials are in use, there is potential for the cable connector to be damaged. Protection from this corrosion is possible with a few simple adjustments to how the sensor is installed.

1.1 Sensor Position

Position the sensor so no material comes into contact with the connector.

The sensor must remain in the main flow of the material at all times to produce accurate measurements of the moisture.

1.2 Drip Loop

Although the connector is specified to withstand water ingress it is recommended to install with a drip loop in the cable. See (Figure 16).

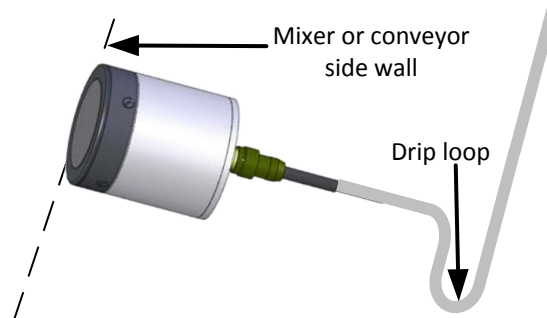


Figure 16: Hydro-Mix Installed with a Drip Loop

1.3 Protection Cover

Install a cover over the top of the sensor to deflect the material away from the connector. (See Figure 17). Self-amalgamating tape can also be used to seal the connector

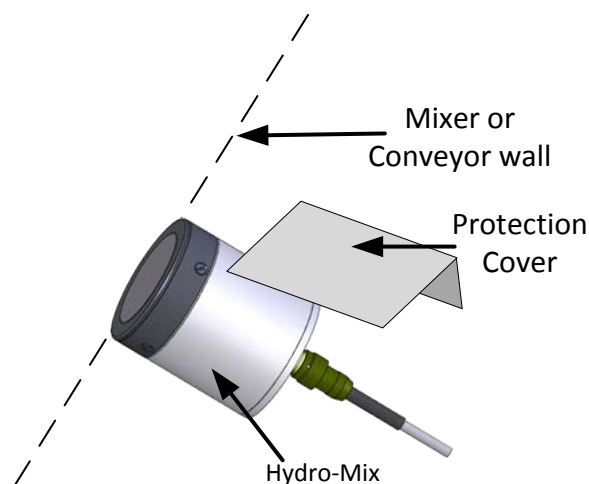


Figure 17: Hydro-Mix with Protection Cover Installed

1 Technical Specifications

1.1 Dimensions

Diameter: 108mm
Length: 125mm (200 including connector)
Fixing: A 127mm diameter cut hole.

1.2 Construction

Body: Stainless steel
Faceplate: Ceramic
Protection ring: Hardened steel

1.3 Penetration of Field

Approximately 75 -100mm dependent upon material

1.4 Range of Moisture

For bulk materials the sensor will measure up to the point of saturation.

1.5 Operating Temperature Range

0 – 60°C (32 – 140°F). The sensor will not measure in frozen material

1.6 Power Supply Voltage

15 – 30 VDC. 1 A, minimum required for start-up (normal operating power is 4W).

1.7 Analogue Outputs

Two configurable outputs 0 – 20mA or 4 – 20mA current loop outputs available for moisture and temperature. The sensor outputs may also be converted to 0 – 10 V DC.

1.8 Measurement Modes

Mode F, Mode V and Mode E

1.9 Brix Measurement Output

No

1.10 Digital (Serial) Communications

Opto-isolated RS485 2 wire port – for serial communications including changing operating parameters and sensor diagnostics.

1.11 Digital inputs

- One configurable digital input 15 – 30 V DC activation
- One configurable digital input/output – input specification 15 – 30 V DC, output specification: open collector output, maximum current 500 mA (over current protection required).

1.12 Connections

1.12.1 Sensor Cable

- Six pairs twisted (12 cores total) screened (shielded) cable with 22 AWG, 0.35mm² conductors.
- Screen (shield): Braid with 65% minimum coverage plus aluminium/polyester foil.
- Recommended cable types: Belden 8306, Alpha 6373
- 500 Ohm resistor – The recommended resistor is an epoxy sealed precision resistor of the following specification: 500 Ohm, 0.1% 0.33W)
- Maximum cable run: 100m, separate to any heavy equipment power cables.

1.13 Grounding

The sensor body is connected to the cable shield. Ensure equipotential bonding of all exposed metalwork. In areas of high lightning risk, correct and adequate protection should be used.

The sensor cable shield is connected to the sensor body. To prevent earth loops the shield must not be connected at the control panel

1 Document Cross Reference

This section lists all of the other documents that are referred to in this User Guide. You may find it beneficial to have a copy available when reading to this guide.

Document Number	Title
HD0411	Ceramic Disc Replacement Instructions
HD0678	Hydronix Moisture Sensor Electrical Installation Guide
HD0551	Hydro-Skid User Guide
HD0679	Hydronix Moisture Sensor Configuration and Calibration Guide
HD0682	Hydro-Com User Guide

Index

Adjustable Clamp Ring.....	17, 18	Flat Surface.....	14
Adjusting the Sensor	20	Maintenance	12
Ceramic		Material	
Disc Care.....	20	Build Up.....	12
Disc replacement.....	20	Mixer	
Clamp Ring		Planetary	14
Adjustable.....	17	Turbo.....	14
Fitting.....	18, 19	Twin Shaft	15
Conveyor Belt.....	16	Protection Ring	
Corrosion protection	21	Replacement.....	20
Electrical Interference	13	Screw Conveyor.....	16
Grounding.....	24	Sensor	
Installation		Adjustment	20
Advice.....	12	Position	12
Curved Surface	15	Technical Specifications	23