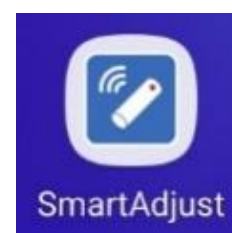


Capacitive Relay Sensor iDOL 44R Series

The iDOL 44R capacitive relay sensor series is designed for general detection of feed, grain and solids.



TYPICAL APPLICATIONS

A capacitive relay sensor is typically used as empty, full and level indicator in tanks, silos and containers. The powerful integrated relay means that it can control many functions directly.

THE IDOL 44R SERIES

The iDOL 44R series of capacitive relay sensors from dol-sensors are sturdy and easy to operate.

A mobile app makes it easy to adjust several product parameters, depending on the model.

A red LED clearly indicates the current status of the relay sensor

FUNCTIONAL DESCRIPTION

iDOL 44R is available with different functions.

Sensitivity:

- Adjustable via app

Delayed connection – when the load starts, the time delay starts:

- Time adjustable via app

Delayed disconnection – when the load stops, the time delay starts:

- Time adjustable via app

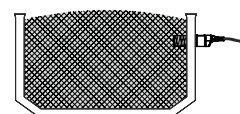
Max. run-time:

- Time adjustable via app

The actual functionality of the sensor is indicated on the product label.

See www.dol-sensors.com for further information.

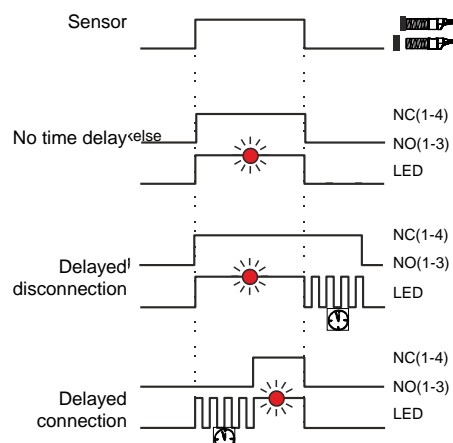
Relay NC(1-4)



Relay NO(1-3) after delay



LED-sequence



TECHNIQUE

The iDOL 44R series features a built-in powerful relay with switch function. The sensor has universal input supply with the following voltage range:

20 - 280 V AC/DC

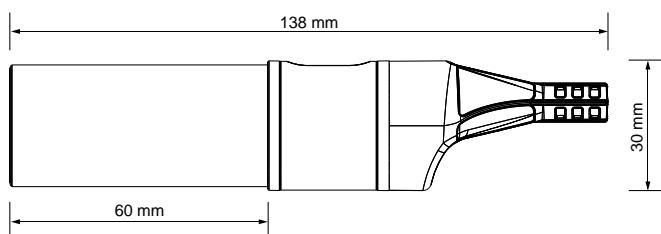
RELIABILITY

The use of electronic rather than mechanic switches ensures a unique reliability, particularly as the electronics are completely encapsulated in special plastic, which provides maximum protection against humidity and other external influences in harsh environments.

The sensor is also CE, C-UL and UL approved and has a high immunity to noise from electric communication (i.e. from a mobile phone) and transients (i.e. from motors and contactors). This makes the sensor very reliable.

BUILDING-IN

The iDOL 44R is easily mounted in a plastic gland, which is also available as a flange solution for easy external mounting. Likewise, the sensor is supplied with thread, which provides several mounting options.

DIMENSIONAL SKETCH

TECHNICAL DATA

Supply voltage (Ue):	20 - 280 V AC/DC
Frequency (fe):	47 - 63 Hz
Relay switch max. voltage:	250 Volt AC
Relay switch max. power (Ie):	Resistive load: 5 A Inductive load: 2 A Min. relay current 100 mA at 12 V DC
Safety:	Relay switches and supply voltage are galvanically separated. Test voltage 4 kV AC
Distance of activation (Sn):	Adjustable 0 - 20 mm depending on material.
Safe distance of activation (Sa):	0 – 15 mm
Repeat accuracy (R):	5%
Time delay:	Adjustable 0-3600 sec.
Protection class:	IP69k. NEMA 1, 3, 4, 6, 12, 13
Surrounding temperature, operation:	-20 °C - +70 °C (-4 °F - +158 °F)
Surrounding temperature, storage:	-30 °C - +80 °C (-22 °F - +176 °F)
Length:	138 mm (5 ⁷ / ₁₆ ")
Diameter:	30 mm (1 ³ / ₁₆ ")
Cable:	5 x 0.5 mm ² (5 x AWG20) 2 m (6.6 feet)
Weight incl. cable:	290 g (10.2oz)
Accessories, supplied:	Instruction
Approvals:	CE, C-UL, UL