

Proximity Sensors Inductive Analogue Current Output, Nickel-plated Brass Housing Types IA, M8, M12, M18 and M30



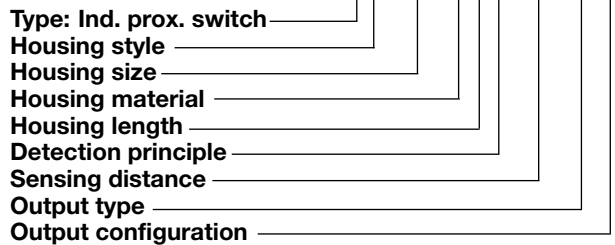
- Nickel-plated brass housing
- Housing diameter: 8, 12, 18 and 30 mm
- Sensing distance:
 - M8: 0.1 - 1.5 mm
 - M12: 0.1 - 3 mm
 - M18: 0.1 - 6 mm
 - M30: 0.5 - 10 mm
- Power supply: 18 to 30 VDC
- Output: 20 - 4 mA
- Protection degree IP67
- 2 m PVC cable

Product Description

Inductive proximity sensor with analogue 20-4 mA current output. The analogue signal can be directly connected to measuring systems. Nickel-plated brass housing in 4 sizes. Connection with 2 m PVC cable.

Ordering Key

IA 18 ALC 10 AG-K



Type Selection

Detecting range	Housing	Connection dimensions	Ordering no. Analogue Current Output PNP, 20-4 mA
0.1 - 1.5 mm	M8	Cable, 2 m	IA 08 ALC 15 AG-K
0.1 - 3.0 mm	M12	Cable, 2 m	IA 12 ALC 03 AG-K
0.1 - 6.0 mm	M18	Cable, 2 m	IA 18 ALC 06 AG-K
0.5 - 10 mm	M30	Cable, 2 m	IA 30 ALC 10 AG-K

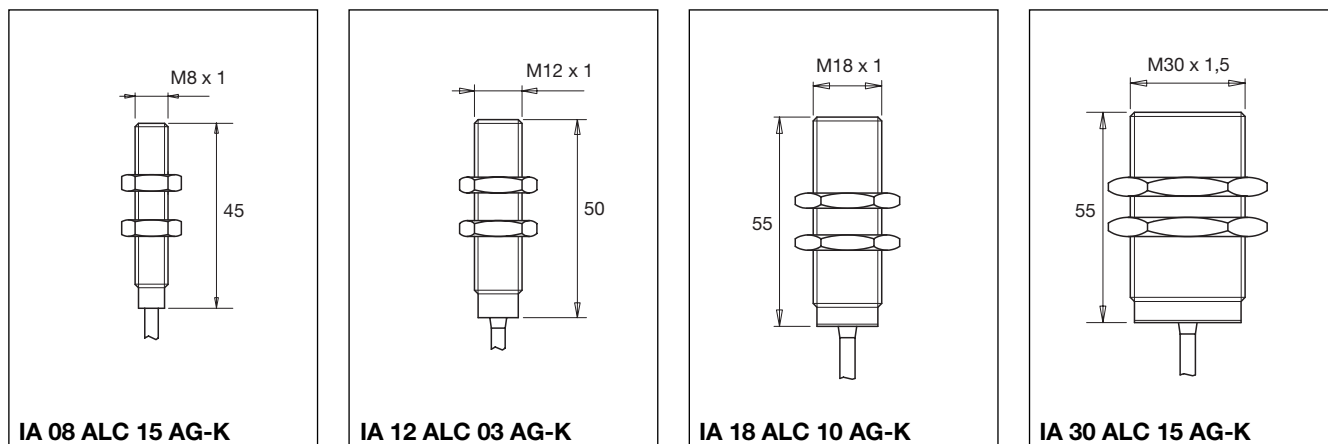
All types for flush mounting in metal

Specifications

Rated operational volt. (U_B)	18 to 30 VDC (ripple included)	Temperature drift	< 5%
Ripple	≤ 10%	Ambient temperature	
Output current (I_e)	20 - 4 mA, PNP	Operating	0° to +50°C (32° to +122°F)
No-load supply current (I_o)	≤ 35 mA	Storage	-30° to +75°C (-22° to +167°F)
Load	< 400 Ω	Degree of protection	IP 67 (Nema 1, 3, 4, 6, 13)
Detecting range		Housing material	Nickel-plated brass
	IA 08: 0.1 - 1.5 mm	CE-marking	Yes
	IA 12: 0.1 - 3.0 mm	Connection	
	IA 18: 0.1 - 6.0 mm	Cable	2 m, PVC, AWG 26
	IA 30: 0.5 - 10 mm		
Conformity	< ±10%		



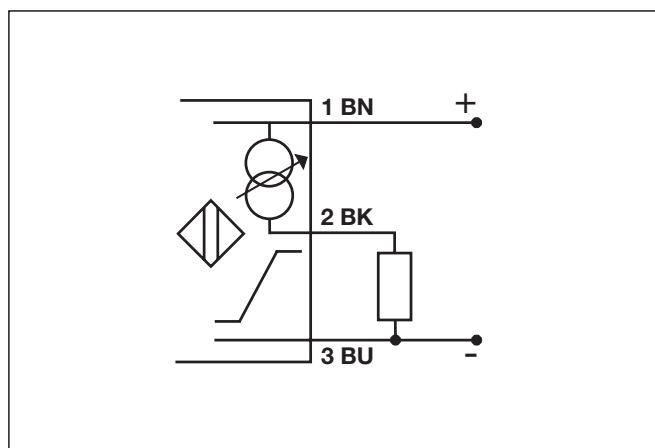
Dimensions



Installation Hints

<p>To avoid interference from inductive voltage/current peaks, separate the prox. switch power cables from any other power cables, e.g. motor, contactor or solenoid cables</p>	<p>Relief of cable strain</p> <p>Incorrect</p> <p>Correct</p> <p>The cable should not be pulled</p>	<p>Protection of the sensing face</p> <p>A proximity switch should not serve as mechanical stop</p>	<p>Switch mounted on mobile carrier</p> <p>Any repetitive flexing of the cable should be avoided</p>
---	---	---	--

Wiring Diagram



Nominal Output Characteristic

